

C43c HALF PITCH SHROUDED HEADER SMT R/A

PITCH: 1.27mm * 1.27mm

SPECIFICATIONS

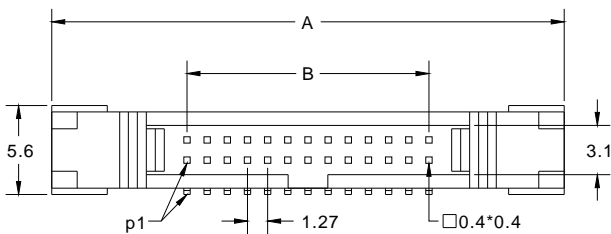
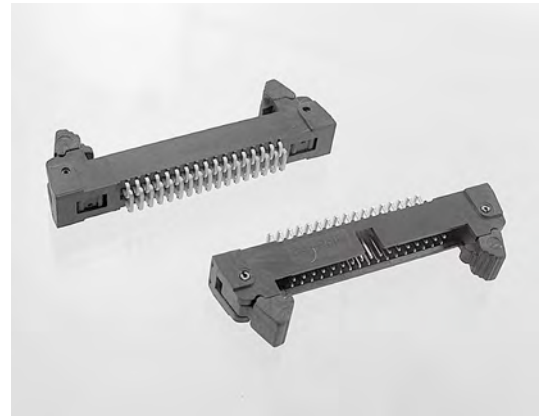
Material

Insulator : LCP, glass reinforced, rated UL 94V-0
 Contact : Phosphor Bronze

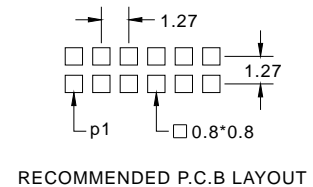
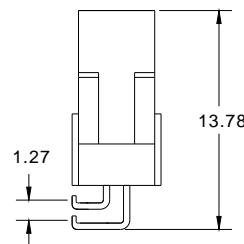
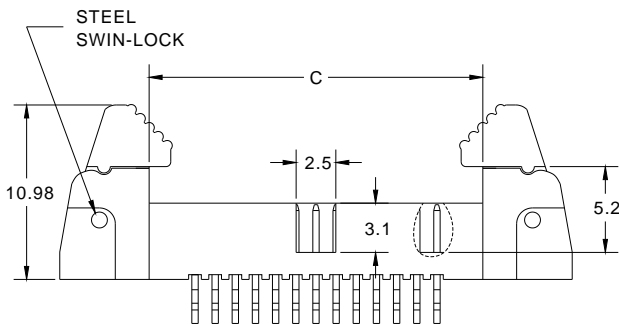
Electrical

Current Rating : 1 Amp
 Contact Resistance : 30 mΩ max.
 Insulation Resistance : 1000 MΩ min.
 Dielectric Withstanding Voltage : 250V AC for 1minute
 Operating Temperature : -40°C to +105°C

► Mating Suggestion : A32, A32c & A52 series.



POSITION	A	B	C
6	19.58	2.54	8.32
8	20.85	3.81	9.59
10	22.12	5.08	10.86
12	23.39	6.35	12.13
14	24.66	7.62	13.40
16	25.93	8.89	14.67
20	28.47	11.43	17.21
22	29.74	12.70	18.48
24	31.01	13.97	19.75
26	32.28	15.24	21.02
30	34.82	17.78	23.56
34	37.36	20.32	26.10
40	41.17	24.13	29.91
44	43.71	26.67	32.45
50	47.52	30.48	36.26
60	53.87	36.83	42.61
68	58.95	41.91	47.69
80	66.57	49.53	55.31



How to order: C43c - 1 - 2 - 3 - 4 - 5 - 6 - G(RoHS)

1.NO. OF CONTACT	2.CONTACT MATERIAL	3.CONTACT PLATING	4.SPECIAL FUNCTION	5.PACKAGING	6.INSULATOR COLOR
06 08 10 12 14 16 20 22 24 26 30 34 40 44 50 60 68 80	B: PHOSPHOR BRONZE	T: TIN PLATED S: SELECTIVE G: GOLD FLASH A: 5u" INCH GOLD B: 10u" INCH GOLD C: 15u" INCH GOLD D: 30u" INCH GOLD	B:W/O LOCATING PEG	B: TUBE W/O PAD D: TAPE & REEL W/O PAD	1. BLACK