

A74 RIBBON TYPE IDC MALE CONNECTORS

PITCH: 2.0mm * 2.0mm

SPECIFICATIONS

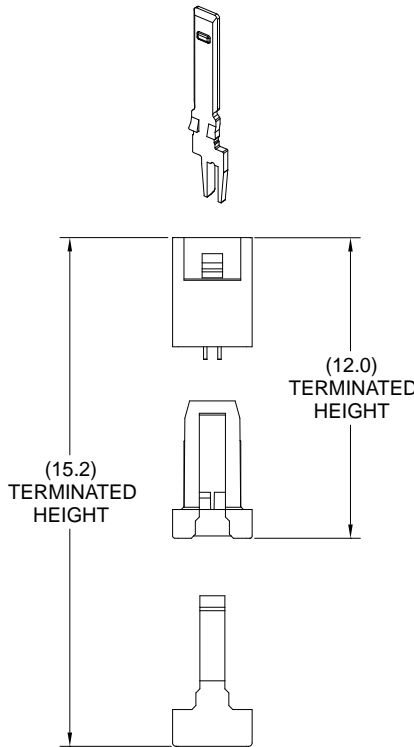
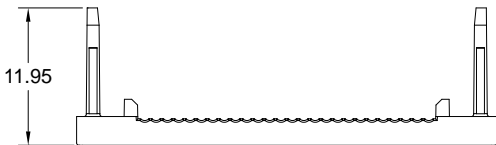
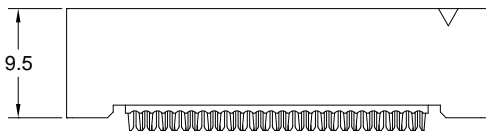
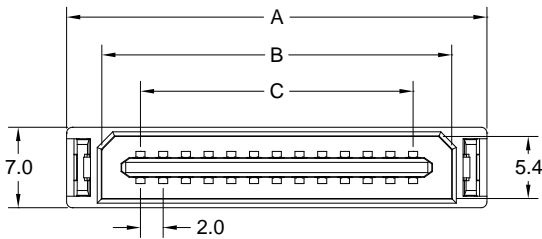
Material

Insulator : PBT, glass reinforced, rated UL 94V-0
Contact : Phosphor Bronze

Electrical

Current Rating : 1 Amp
Contact Resistance : 30 mΩ max.
Insulation Resistance : 3000 MΩ min.
Dielectric Withstanding Voltage : 500V AC for 1minute
Operating Temperature : -40°C to +105°C

- ▶ Terminated with L02-1.00mm pitch flat ribbon cable.
- ▶ Mating Suggestion: B58 & B59 series.



POSITION	A	B	C
6	17	10.8	4
8	19	12.8	6
10	21	14.8	8
12	23	16.8	10
14	25	18.8	12
16	27	20.8	14
20	31	24.8	18
22	33	26.8	20
24	35	28.8	22
26	37	30.8	24
30	41	34.8	28
34	45	38.8	32
40	51	44.8	38
44	55	48.8	42
50	61	54.8	48
68	79	72.8	66

How to order: A74 - 1 - 2 - 3 - 4 - 5 - G(RoHS)

1.NO. OF CONTACT	2.CONTACT MATERIAL	3.CONTACT PLATING	4.SPECIAL FUNCTION	5.INSULATOR COLOR
06 08 10 12 14 16 20 22 24 26 30 34 40 44 50 68	B: PHOSPHOR BRONZE	T: TIN PLATED S: SELECTIVE G: GOLD FLASH A: 5u" INCH GOLD B: 10u" INCH GOLD C: 15u" INCH GOLD D: 30u" INCH GOLD	A: W STRAIN RELIEF B: W/O STRAIN RELIEF	1. BLACK

