

# A65 IDC SOCKET WITH STEEL LATCH

**PITCH: 2.0mm**

## SPECIFICATIONS

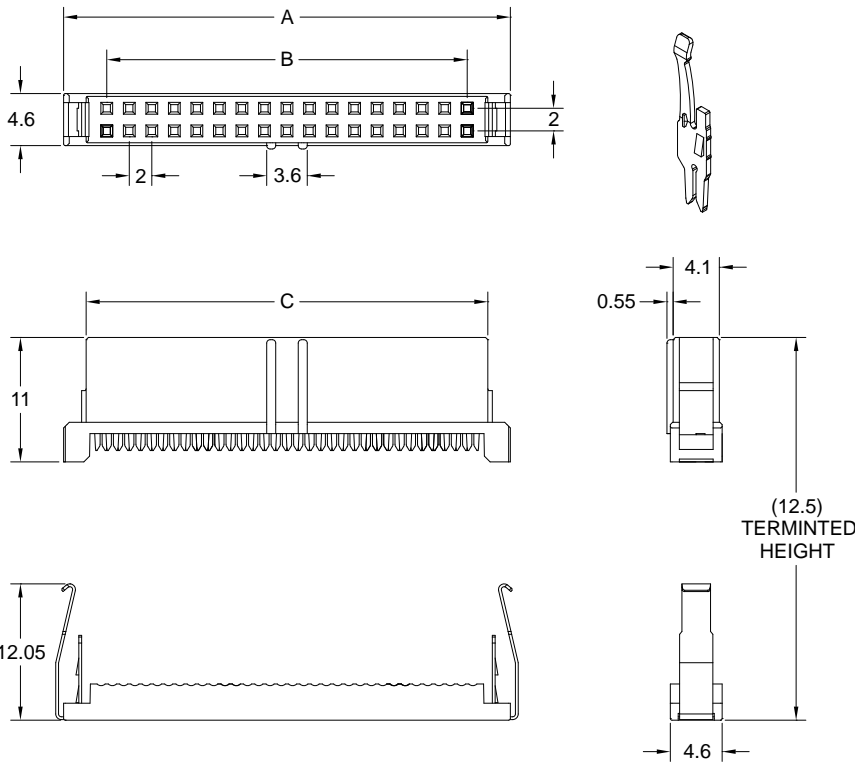
### Material

Insulator : PBT, glass reinforced, rated UL 94V-0  
 Contact : Phosphor Bronze

### Electrical

Current Rating : 1 Amp  
 Contact Resistance : 30 mΩ max.  
 Insulation Resistance : 3000 MΩ min.  
 Dielectric Withstanding Voltage : 500V AC for 1minute  
 Operating Temperature : -40°C to +105°C

- ▶ Terminated with L02-1.00mm pitch flat ribbon cable.
- ▶ Mating Suggestion : C100, C100a & C100b series.



POSITION	A	B	C
6	11.70	4.00	7.70
8	13.70	6.00	9.70
10	15.70	8.00	11.70
12	17.70	10.00	13.70
14	19.70	12.00	15.70
16	21.70	14.00	17.70
20	25.70	18.00	21.70
22	27.70	20.00	23.70
24	29.70	22.00	25.70
26	31.70	24.00	27.70
30	35.70	28.00	31.70
34	39.70	32.00	35.70
40	45.70	38.00	41.70
44	49.70	42.00	45.70
50	55.70	48.00	51.70
68	73.70	66.00	69.70

**How to order:** A65 - 1 - 2 - 3 - 4 - 5 - G(RoHS)

1.NO. OF CONTACT	2.CONTACT MATERIAL	3.CONTACT PLATING	4.SPECIAL FUNCTION	5.INSULATOR COLOR
06 08 10 12 14 16 20 22 24 26 30 34 40 44 50 68	B: PHOSPHOR BRONZE	T: TIN PLATED S: <b>SELECTIVE</b> G: GOLD FLASH A: 5u" INCH GOLD B: 10u" INCH GOLD C: 15u" INCH GOLD D: 30u" INCH GOLD	B: W/O STRAIN RELIEF W BAR	1. BLACK